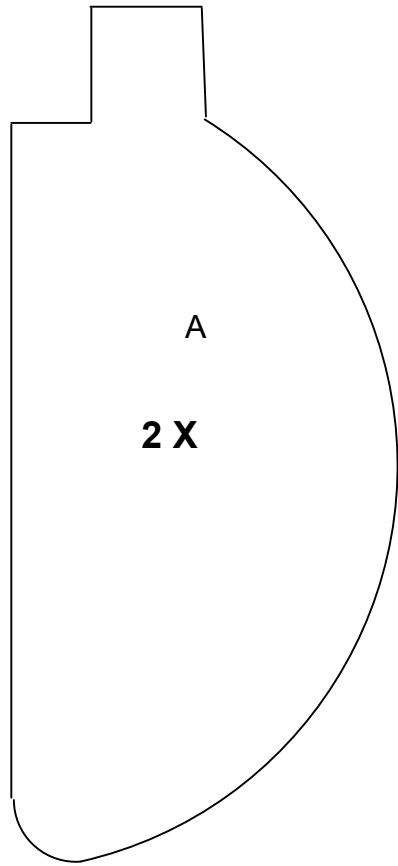
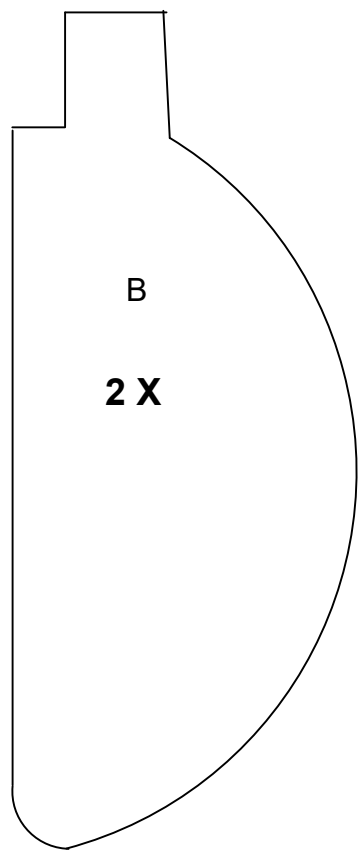


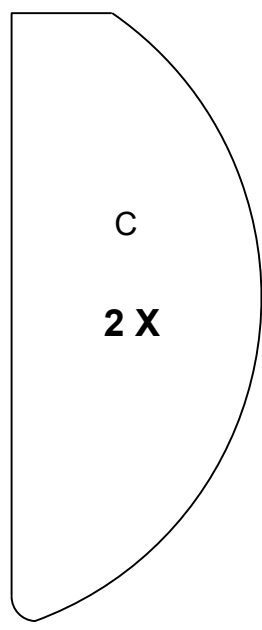
2 X



A
2 X



B
2 X



C
2 X

